

Fax Option Type 2027
(B576)

Fax Option Type 2027 (B576)

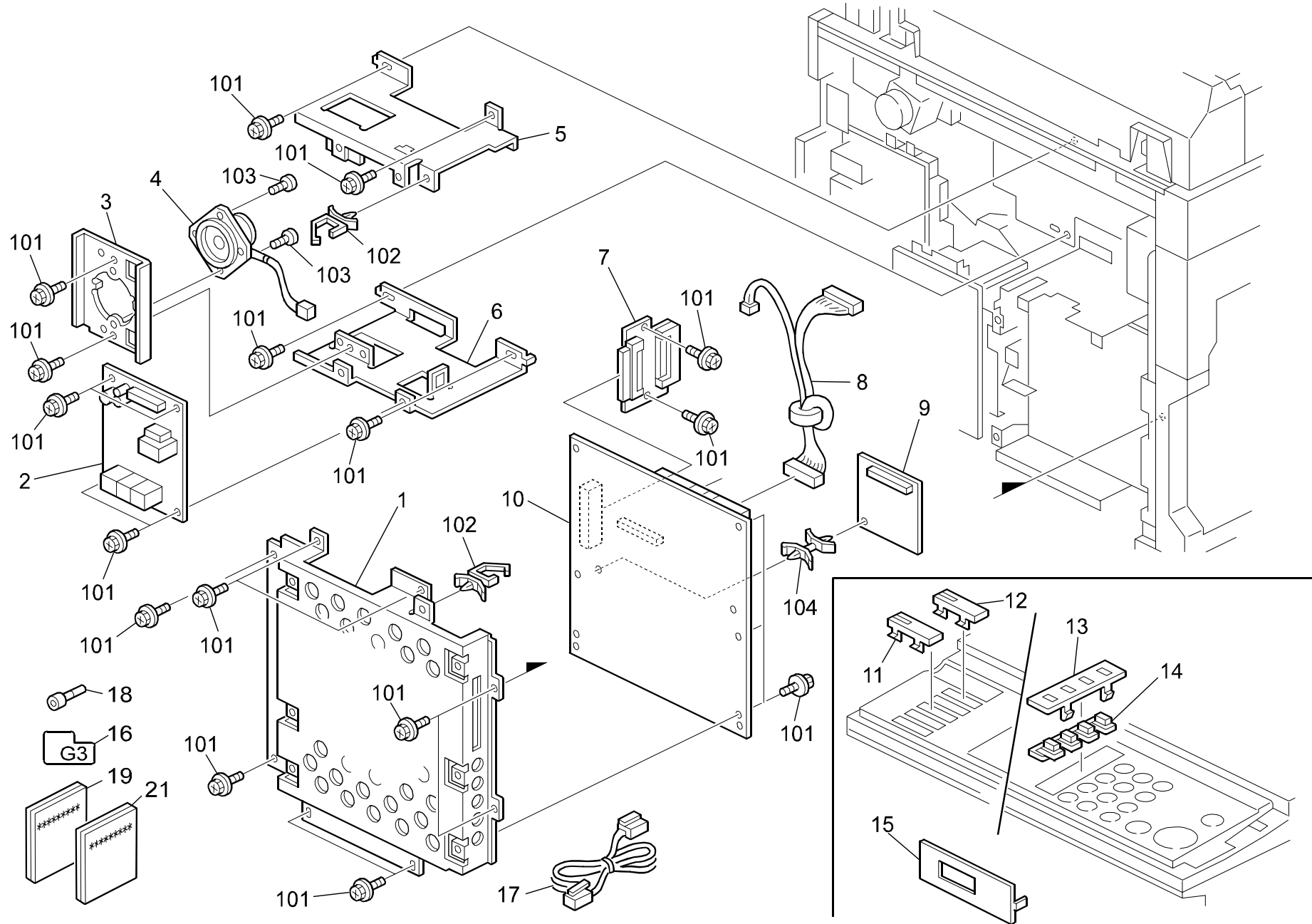
PARTS CATALOG

This catalog gives the numbers and names of parts on this machine.

1.Fax Option (B576)	2
2.FCU Board (B576)	4
3.NCU Board 120V (B576)	10
4.NCU Board 230V (B576)	12
Parts Index	15

September ,05 ' 2003

1.Fax Option (B576)



1.Fax Option (B576)

Index No.	Part No.	Description	Q'ty Per Assembly
1	B031 5861	Shadeing Plate:Fax Control Unit	1
2	5488 6222	NCU-FD-U2 Board - 120V	1
2	5488 6292	NCU-FD-EA2T Board - 230V TWN	1
3	B024 5868	Bracket - Speaker	1
4	G025 1211	Speaker - GS	1
5	B024 5865	Bracket - NCU-Upper	1
6	B024 5866	Bracket - NCU-Lower	1
7	B092 5192	FCU I/F Board	1
8	B576 5270	Harness - FCU-NCUSP NA	1
8	B576 5272	Harness - FCU-NCUSP EU	1
9	B576 5180	MBU Board	1
10	B576 5170	FCU Board	1
11	B418 7151	Keytop - Fax-NA	1
11	B418 7171	Keytop - Fax - EU	1
12	B418 7150	Key Top - Copy (NA)	1
12	B418 7170	Key Top - Copy (EU)	1
13	B418 7152	Cover - Keytop-Fax-NA	1
13	B418 7172	Cover - Keytop - Fax - EU	1
14	B027 1447	Keytop - Fax	1
15	B418 1370	NCU Cover	1
16	B404 3861	SG3 Decal	1
17	H523 5350	Telephone Cable	1
18	H511 5007	Stamp	1
19	B576 8607	Operating Instructions Basic (NA)	1
21	B576 8657	Operating Instructions Advance (NA)	1

Index No.	Part No.	Description	Q'ty Per Assembly
101	0451 3006B	Tapping Screw - M3x6	
102	1105 0516	Clamp	
103	0453 3006B	Tapping Screw - M3x6	
104	1105 0441	Spacer - 8mm	

2.FCU Board (B576)

BATTERY

SYMBOL NO.	INDEX NO.
BAT1	111

CAPACITOR

SYMBOL NO.	INDEX NO.
C1	238
C2	245
C3	238
C4	245
C5	246
C6	245
C7	237
C8	237
C9	237
C10	237

DIODE

SYMBOL NO.	INDEX NO.
C11	237
C12	237
---	---
---	---
C15	239
C16	161
C17	245
C18	167
C19	167
C20	246

SYMBOL NO.	INDEX NO.
C21	244
C22	246
C23	246
C24	237
C25	246
C26	246
C27	246
C28	175
C29	162
C30	242

SYMBOL NO.	INDEX NO.
C31	233
C32	167
C33	167
C34	167
C35	246
C36	246
C37	167
C38	246
C39	161
C40	238

SYMBOL NO.	INDEX NO.
C41	246
C42	165
C43	165
C44	165
C45	233
C46	158
C47	235
C48	234
C49	246
C50	161

SYMBOL NO.	INDEX NO.
C51	245
C52	246
C53	246
C54	246
C55	246
C56	246
C57	245
C58	157
C59	160
C60	245

CAPACITOR

SYMBOL NO.	INDEX NO.
C61	232
C62	232
C63	161
C64	246
C65	156
C66	246
C67	176
C68	246
C69	245
C70	156

SYMBOL NO.	INDEX NO.
C71	246
C72	246
C73	246
C74	246
C75	246
C76	246
C77	238
C78	238
C79	238
C80	246

SYMBOL NO.	INDEX NO.
C81	246
C82	246
---	---
---	---
---	---
C86	245
C87	245
C88	245
C89	246
C90	246

SYMBOL NO.	INDEX NO.
C91	246
C92	233
C93	246
C94	246
C95	246
C96	246
C97	163
C98	163
C99	164
C100	161

SYMBOL NO.	INDEX NO.
C101	240
C102	246
C103	238
C104	238
C105	246
C106	246
C107	161
C108	161
C109	167
C110	238

SYMBOL NO.	INDEX NO.
C111	238
C112	238
C113	246
C114	246
C115	246
C116	246
C117	246
C118	161
C119	240
C120	246

SYMBOL NO.	INDEX NO.
C121	246
C122	246
C123	161
C124	246
C125	238
C126	246
C127	233
C128	233
C129	233
C130	233

2.FCU Board (B576)

CAPACITOR

SYMBOL NO.	INDEX NO.
C131	246
C132	246
C133	162
C134	246
C135	246
C136	236
C137	241
C138	241
C139	161
C140	246

SYMBOL NO.	INDEX NO.
C141	245
C142	246
C143	166
C144	246
C145	161
C146	246
C147	246
C148	246
C149	240
C150	161

SYMBOL NO.	INDEX NO.
C151	161
C152	246
C153	243
C154	246
C155	238
C156	246
C157	246
---	---
---	---
---	---
---	---

SYMBOL NO.	INDEX NO.
C161	159
C162	245
C163	240
C164	245
---	---
---	---
---	---
---	---
---	---
---	---

CONNECTOR

SYMBOL NO.	INDEX NO.
CN331	106
CN332	109
CN333	105
---	---
CN335	104
---	---
---	---
---	---
---	---
CN340	102
---	---

SYMBOL NO.	INDEX NO.
CN342	103
---	---
---	---
CN345	101
---	---
---	---
---	---
---	---
CN350	107
CN351	108

DIODE

SYMBOL NO.	INDEX NO.
D1	118
D2	118
D3	118
D4	119
D5	118
D6	119
D7	120
D8	119
D9	119
D10	120

OSC

SYMBOL NO.	INDEX NO.
DA1	124
DA2	121

IC

SYMBOL NO.	INDEX NO.
IC1	146
IC2	145
IC3	139
IC4	131
IC5	135
IC6	145
IC7	133
IC8	247
IC9	132
IC10	136

SYMBOL NO.	INDEX NO.
IC11	129
IC12	137
IC13	137
IC14	138
IC15	2
IC16	144
IC17	143
IC18	142
IC19	130
IC20	1

SYMBOL NO.	INDEX NO.
IC21	134
IC22	128

JP

SYMBOL NO.	INDEX NO.
JP1	174
---	---
JP3	174
JP4	173
JP5	173
JP6	174
JP7	173
JP8	174
JP9	173
JP10	174

SYMBOL NO.	INDEX NO.
JP11	174

LED

SYMBOL NO.	INDEX NO.
LED1	127
LED2	126

FILTER

SYMBOL NO.	INDEX NO.
FIL1	168
FIL2	168

L

SYMBOL NO.	INDEX NO.
L1	170
L2	171
L3	169

OSC

SYMBOL NO.	INDEX NO.
OSC1	148
OSC2	147

2.FCU Board (B576)

Q

RESISTOR

SYMBOL NO.	INDEX NO.
Q1	116
Q2	116
---	---
Q4	116
Q5	115
Q6	114
Q7	112
Q8	113
Q9	112
Q10	114

SYMBOL NO.	INDEX NO.
Q11	117
Q12	115
Q13	117

SYMBOL NO.	INDEX NO.
R1	182
R2	179
R3	196
R4	182
R5	182
R6	179
R7	196
R8	182
R9	197
R10	197

SYMBOL NO.	INDEX NO.
R11	181
---	---
R13	185
R14	185
R15	197
R16	192
R17	192
R18	192
R19	182
R20	188

SYMBOL NO.	INDEX NO.
R21	182
R22	181
---	---
R24	210
R25	210
R26	195
R27	195
R28	186
R29	221
R30	228

SYMBOL NO.	INDEX NO.
R31	227
R32	231
R33	229
R34	194
R35	210
R36	183
R37	213
R38	182
R39	224
R40	193

SYMBOL NO.	INDEX NO.
R41	198
R42	198
R43	182
R44	221
R45	193
R46	182
R47	196
R48	201
R49	182
R50	182

RESISTOR

SYMBOL NO.	INDEX NO.
R51	182
R52	196
R53	196
R54	196
R55	196
R56	196
R57	196
R58	182
R59	196
R60	196

SYMBOL NO.	INDEX NO.
R61	196
R62	196
R63	205
R64	196
R65	196
R66	205
R67	196
R68	196
---	---
---	---

SYMBOL NO.	INDEX NO.
R71	180
R72	183
R73	182
R74	182
R75	182
R76	205
R77	199
R78	181
R79	172
R80	182

SYMBOL NO.	INDEX NO.
R81	196
R82	196
R83	179
R84	182
R85	203
R86	203
R87	203
R88	203
R89	203
R90	211

SYMBOL NO.	INDEX NO.
R91	211
R92	192
R93	204
R94	193
R95	183
R96	183
R97	193
R98	207
R99	184
R100	203

SYMBOL NO.	INDEX NO.
R101	182
R102	182
R103	180
R104	183
R105	200
R106	182
---	---
---	---
R109	196
R110	196

SYMBOL NO.	INDEX NO.
R111	182
---	---
---	---
---	---
R115	183
R116	182
R117	180
R118	191
R119	182
R120	183

2.FCU Board (B576)

RESISTOR

SYMBOL NO.	INDEX NO.
R121	180
R122	202
R123	182
R124	179
R125	201
R126	196
R127	196
R128	182
R129	183
R130	183

SYMBOL NO.	INDEX NO.
R131	182
R132	182
R133	205
R134	190
R135	205
R136	205
R137	210
R138	220
R139	218
R140	223

SYMBOL NO.	INDEX NO.
R141	214
R142	210
R143	215
R144	189
R145	210
R146	226
R147	212
R148	218
R149	177
R150	209

SYMBOL NO.	INDEX NO.
R151	208
R152	187
R153	215
R154	226
R155	209
R156	200
R157	225
R158	219
R159	209
R160	216

SYMBOL NO.	INDEX NO.
R161	218
R162	230
R163	183
R164	182
R165	200
R166	182
R167	182
R168	183
R169	182
R170	183

SYMBOL NO.	INDEX NO.
R171	182
R172	181
R173	206
R174	200
R175	222
R176	217
R177	200
R178	178
R179	178
R180	181

REG

SYMBOL NO.	INDEX NO.
REG1	141
REG2	140

RN

SYMBOL NO.	INDEX NO.
RN1	153
RN2	153
RN3	151
RN4	154
RN5	154
RN6	154
RN7	154
RN8	154
RN9	154
RN10	154

SYMBOL NO.	INDEX NO.
---	---
RN12	151
RN13	151
RN14	154
RN15	151
RN16	151
RN17	151
RN18	151
RN19	151
RN20	151

SYMBOL NO.	INDEX NO.
RN21	151
RN22	151
RN23	151
RA24	152
RN25	151
RA26	152
RN27	151
---	---
---	---
---	---

SYMBOL NO.	INDEX NO.
---	---
---	---
---	---
---	---
RN35	151
RN36	151
RN37	151
RN38	151
RN39	151
RN40	151

SYMBOL NO.	INDEX NO.
RN41	151
RN42	151
RN43	151
RN44	151
RN45	154
RN46	151
RN47	155
RN48	155
RN49	155
RN50	155

SYMBOL NO.	INDEX NO.
RN51	151
RN52	151
RN53	155
RN54	155
RN55	155
RN56	155
RN57	155
RN58	155
RN59	153

SW

SYMBOL NO.	INDEX NO.
SW1	110

ZD

SYMBOL NO.	INDEX NO.
ZD1	122
ZD2	123
ZD3	123
ZD4	125

2.FCU Board (B576)

Index No.	Part No.	Description	Q'ty Per Assembly
*	B576 5170	FCU Board	1
1	B005 7101	IC - FBI	1
2	B028 5510	IC -FACE2	1

Index No.	Part No.	Description	Q'ty Per Assembly
101	1102 4205	CT Header - 6P	
102	1102 4212	CT Header - 15P	
103	1102 4631	CT Connector - 2p	
104	1102 7098	Connector - TX25-80P-6ST-N1	
105	1102 7389	Connector - FH12-50S-0.5SV	
106	1102 7455	Connector - FX6-60S-0.8SV2	
107	1102 8063	Connector - 54373-0600	
108	1102 8089	Connector - 53493-0801	
109	1102 8189	DIMM Connector - 54534-1440	
110	1204 2373	Key Board Switch - SKQDPA	
111	1206 0084	Lithium Cell-VI2330/1hf	
112	1400 0398	Transistor - 2SC2412K	
113	1400 0769	Transistor - 2SA1576A	
114	1400 0822	Transistor - 2SA1900	
115	1400 0856	Transistor - 2SC3928A	
116	1400 0918	Transistor - DTC123JUA	
117	1401 1116	Transistor - 2SC5053	
118	1402 1336	Diode - 1SS355	
119	1402 1343	Diode - RB106L-40	
120	1402 1437	Diode - RB500V-40	
121	1402 1487	Diode - RB480K	
122	1402 1499	Diode UDZS5.1B	
123	1402 1515	Diode UDZS6.2B	
124	1402 1584	Diode - DAN217U	
125	1402 1647	Diode - UDZS3.6B	
126	1403 0953	LED - SML-310MT	
127	1403 0996	LED - SML-310VT	
128	1407 4845	IC TC7S66F	
129	1407 5010	IC - TC7SET08FU	
130	1407 5197	IC - TC7SZ126FU	
131	1407 5349	IC - SN74LV4066APW	
132	1407 5368	IC - 74LVC245A TSSOP	
133	1407 5659	IC - RL5T882SB	
134	1407 5685	IC:SH74AHC1G32HDCK	
135	1407 5703	IC - CD4053BPW	

Index No.	Part No.	Description	Q'ty Per Assembly
136	1407 5881	Modem IC - MN195006-E	
137	1407 5968	IC - SN74HCT244APW	
138	1407 5969	IC - SN74HCT245APW	
139	1408 0810	IC - BA10358F	
140	1408 1246	DC/DC Converter:M5291P	
141	1408 1296	Voltage Regulator - RN5RZ33B	
142	1408 1388	Detector RN5VD28C	
143	1408 1416	IC -RH5RI331B	
144	1408 1449	IC - M62220FP	
145	1408 1550	IC - LM2902PW	
146	1408 1653	Opeamp - LMV324IPW	
147	1503 0758	Oscillator - MC-306 32.768MHZ	
148	1503 1066	Crystal Oscilator - 24.576MHZ	
149	1601 7760	Resistor Array	
150	1601 7866	Resistor Array - 150Ω ±5%	
151	1601 7867	Resistor - 33 Ω ±5% 1/16W	
152	1601 7871	Resistor - 68Ω ±5% 1/16W	
153	1601 7877	Resistor Array 4.7k Ω ±5% 1/32W	
154	1601 7887	Resistor Array - 10K Ω ±5% 1/32W	
155	1601 7896	Resistor Array - 56 Ω ±5% 1/32W	
156	1604 4333	Capacitor - 100μF±20% 10V	
157	1604 4335	Capacitor - 220μF±20% 10V	
158	1604 4550	Capacitor - 220μF±20% 25V	
159	1604 4695	Capacitor:100mf:±20%:35V	
160	1604 5002	Capacitor - 220μF±20% 6.3V	
161	1605 1122	Capacitor 1μF+80-20% 10V	
162	1605 1136	Ceramic Capacitor - 33000pF ±10% 2	
163	1605 1167	Capacitor - 0.22μF±10% 10V	
164	1605 1190	Ceramic Capacitor - 0.022μF±10% 50V	
165	1605 1226	Capacitor - 2PF ±0.25pF 50V	
166	1605 1228	Capacitor:0.1uf:±10%:25V	
167	1605 1295	Capacitor:10uf:+80-20%:10V	
168	1607 0861	Filter - BK2125HS101	
169	1607 1196	Inductor -220uh ±20% 0.33A	
170	1607 1405	Inductor:SLF10145-101M1R0	

Index No.	Part No.	Description	Q'ty Per Assembly
171	1607 1421	Inductor:SLF10145-221MR65	
172	1610 1377	Resistor - 0.1 Ω ±2% 1/2W	
173	1633 0000	Resistor - 0 Ω 1/10W	
174	1634 0000	Resistor - 0 Ω 1/16W	
175	1644 0100	Capacitor - 10μF±20% 10V	
176	1644 0470	Capacitor - 47μF±20% 10V	
177	1650 2681	Chip Resistor:680Ω:±5%:1/4W	
178	1650 3209	Chip Resistor:2Ω:±5%:1/8W:2125	
179	1650 4100	Resistor - 10Ω ±5% 1/10W	
180	1650 4101	Resistor - 100Ω±5%1/10W	
181	1650 4102	Resistor - 1KΩ ±5% 1/10W	
182	1650 4103	Resistor - 10KΩ ±5% 1/10W	
183	1650 4104	Resistor - 100KΩ±5%1/10W	
184	1650 4105	Resistor - 1MΩ ±5% 1/10W	
185	1650 4121	Resistor - 120Ω±5%1/10W	
186	1650 4122	Resistor - 1.2KΩ ±5% 1/10W	
187	1650 4123	Resistor - 12KΩ±5%1/10W	
188	1650 4182	Resistor - 1.8KΩ±5%1/10W	
189	1650 4184	Resistor:180kΩ:±5%:1/10W	
190	1650 4201	Resistor - 200Ω±5%1/10W	
191	1650 4202	Resistor - 2KΩ±5%1/10W	
192	1650 4204	Resistor - 200KΩ±5%1/10W	
193	1650 4223	Resistor - 22KΩ±5%1/10W	
194	1650 4304	Resistor:300kΩ:±5%:1/10W	
195	1650 4309	Resistor:3Ω:±5%:1/10W	
196	1650 4330	Chip Resistor - 33Ω ±5% 1/10W	
197	1650 4331	Resistor - 330Ω±5%1/10W	
198	1650 4333	Resistor - 33KΩ±5%1/10W	
199	1650 4391	Resistor - 390Ω ±5% 1/10W	
200	1650 4472	Resistor - 4.7KΩ ±5% 1/10W	
201	1650 4473	Resistor - 47KΩ±5%1/10W	
202	1650 4510	Resistor - 51Ω±5%1/10W	
203	1650 4560	Chip Resistor - 56Ω ±5% 1/10W	
204	1650 4562	Resistor - 5.6KΩ ±5% 1/10W	
205	1650 4680	Resistor - 68Ω±5%1/10W	

Index No.	Part No.	Description	Q'ty Per Assembly
206	1650 4681	Resistor - 680Ω ±5% 1/10W	
207	1650 4823	Resistor:82kΩ:±5%:1/10W	
208	1654 1001	Resistor - 1KΩ±1%1/10W	
209	1654 1002	Resistor - 10KΩ±5%1/10W	
210	1654 1003	Resistor - 100KΩ±1%1/10W	
211	1654 1100	Resistor - 110Ω±1% 1/10W	
212	1654 1102	Resistor - 11KΩ±1%1/10W	
213	1654 1183	Resistor - 118KΩ ±1% 1/10W	
214	1654 1202	Resistor:12kΩ:±1%:1/10W	
215	1654 1503	Resistor - 150KΩ±1%1/10W	
216	1654 1802	Resistor - 18KΩ±1%1/10W	
217	1654 2001	Chip Resistor - 2kΩ ±1% 1/10W	
218	1654 2002	Resistor - 20KΩ±1%1/10W	
219	1654 2402	Chip Resistor:24kΩ:±1%:1/10W	
220	1654 2702	Resistor - 27KΩ±1%1/10W	
221	1654 3303	Resistor - 330KΩ±1%1/10W	
222	1654 3602	Resistor - 36K Ω ±1% 1/10W 1608	
223	1654 3742	Resistor:37.4kΩ:±1%:1/10W	
224	1654 4533	Chip Resistor:453kΩ:±1%:1/10W	
225	1654 4872	Chip Resistor:48.7kΩ:±1%:1/10W	
226	1654 6202	Resistor - 62KΩ±1%1/10W	
227	1654 6809	Resistor - 68Ω±1%1/10W	
228	1654 7323	Resistor:732kΩ:±1%:1/10W	
229	1654 7502	Resistor - 75KΩ±1%1/10W	
230	1654 8200	Resistor - 820Ω±1%1/10W	
231	1654 9101	Resistor:9.1kΩ:±1%:1/10W	
232	1660 0100	Capacitor - 10PF ±0.5pF 50V	
233	1660 2101	Capacitor - 100pF - ±10% - 50V	
234	1660 2120	Capacitor - 12 pF ±5% 50V	
235	1660 2150	Capacitor - 15pF ±5% 50V	
236	1660 2181	Capacitor - 180pF ±5% 50V	
237	1660 2271	Capacitor - 270pF - +80-20% - 50V	
238	1660 2471	Capacitor - 470pF - ±5% - 50V	
239	1660 2820	Capacitor - 82pF ±5% 50V	
240	1660 4102	Capacitor - 1000pF ±10% 50V	

Index No.	Part No.	Description	Q'ty Per Assembly
241	1660 4152	Capacitor - 1500pF ±10% 50V	
242	1660 4222	Capacitor - 2200pF - ±10% - 50V	
243	1660 4332	Capacitor - 3300pF - ±10% - 50V	
244	1660 4682	Capacitor - 6800pF 50V 1608	
245	1660 6103	Capacitor - 10000pF - +80%-20%50V	
246	1660 8104	Capacitor - 0.1μF+80-20% 25V	
247	1907 0012	SDRAM - 128M 2MX16X4 133Mhz	

3.NCU Board 120V (B576)

CAPACITOR

SYMBOL NO.	INDEX NO.
C3	116
C4	121
C5	122

CONNECTOR

SYMBOL NO.	INDEX NO.
CN7	102
CN8	102

DIODE

SYMBOL NO.	INDEX NO.
D1	106
D2	106

DB

SYMBOL NO.	INDEX NO.
DB1	107

FILTER

SYMBOL NO.	INDEX NO.
FIL1	117
FIL2	117
FIL3	117

L

SYMBOL NO.	INDEX NO.
L1	118

PC

SYMBOL NO.	INDEX NO.
PC1	109
PC2	108
PC3	110

Q

SYMBOL NO.	INDEX NO.
Q1	104
Q2	105

RESISTOR

SYMBOL NO.	INDEX NO.
R1	120
R2	115
R3	127
R4	123
R5	128
R6	126
R7	125
R8	124

RY

SYMBOL NO.	INDEX NO.
RY1	103

T

SYMBOL NO.	INDEX NO.
T2	119

V

SYMBOL NO.	INDEX NO.
V1	111
V2	113
V3	112
V4	113
V5	114

3.NCU Board 120V (B576)

Index No.	Part No.	Description	Q'ty Per Assembly
*	5488 6222	NCU-FD-U2 Board - 120V	1

Index No.	Part No.	Description	Q'ty Per Assembly
101	1102 5007	CT Header - 14P	
102	1102 6415	Modular Cord - 6-6p	
103	1208 1438	Relay - EC2 5ND	
104	1400 0826	Transistor - 2SA1776	
105	1400 0885	Transistor - 2SC4505Q	
106	1401 0821	Diode - 1SS133	
107	1402 1607	Diode - S1NB60	
108	1403 0598	Photo Coupler - Ps2501-2	
109	1403 0620	Photo Coupler	
110	1403 0812	Photocoupler - PS2532-1-V	
111	1404 0129	Varistor - VR - 63B	
112	1404 0276	Varistor- TNR9G331K	
113	1404 0283	Varistor - TNR9G431K	
114	1404 0989	Varistor - TNR7V121K	
115	1601 5395	Resistor - 18Ω ±5% 1/2W	
116	1606 2160	Capacitor - 0.47μF±10% 250V	
117	1607 0069	Fuse - BL02RN2-R62-PB	
118	1607 0396	Choke - Sbt-0180W	
119	1607 1396	Transformer - Flt319	
120	1611 8473	Resistor - 47kΩ±5%1/4W	
121	1642 5220	Capacitor - 22μF±20% 50V	
122	1642 5229	Capacitor 2.2μF±20% 50V	
123	1650 4104	Resistor - 100KΩ±5%1/10W	
124	1650 4151	Resistor - 150Ω ±5%1/10W	
125	1650 4180	Chip Resistor - 18Ω±5%1/10W	
126	1650 4392	Chip Resistor - 3.9kΩ±5%1/10W	
127	1654 2002	Resistor - 20KΩ±1%1/10W	
128	1654 4702	Chip Resistor - 47kΩ±1%1/10W	

4.NCU Board 230V (B576)

ARRESTER

SYMBOL NO.	INDEX NO.
A1	118

CAPACITOR

SYMBOL NO.	INDEX NO.
C2	123
C3	122
C4	130
C5	131
C6	138
C7	138
C8	137
C9	129

CONNECTOR

SYMBOL NO.	INDEX NO.
CN1	101
CN2	104
CN3	104

DIODE

SYMBOL NO.	INDEX NO.
D1	110
D2	110

DB

SYMBOL NO.	INDEX NO.
DB2	111
DB3	113

FILTER

SYMBOL NO.	INDEX NO.
FIL1	124
FIL2	124
FIL3	124

IC

SYMBOL NO.	INDEX NO.
HIC1	1

L

SYMBOL NO.	INDEX NO.
L2	125

PC

SYMBOL NO.	INDEX NO.
PC1	114
---	---
---	---
PC4	116
PC5	115

Q

SYMBOL NO.	INDEX NO.
Q1	107
Q2	109
Q3	108

RESISTOR

SYMBOL NO.	INDEX NO.
R1	120
R2	128
---	---
R4	121
R5	127
R6	127
R7	136
R8	135
R9	134
R10	132

R

SYMBOL NO.	INDEX NO.
R11	133

RY

SYMBOL NO.	INDEX NO.
RY1	106

T

SYMBOL NO.	INDEX NO.
T1	126

TB

SYMBOL NO.	INDEX NO.
TB1	102
TB1	105
TB2	105
TB2	103

V

SYMBOL NO.	INDEX NO.
V1	119
---	---
V3	117

ZD

SYMBOL NO.	INDEX NO.
ZD1	112
ZD2	112

4.NCU Board 230V (B576)

Index No.	Part No.	Description	Q'ty Per Assembly
*	5488 6292	NCU-FD-EA2T Board - 230V TWN	1
1	H545 7108	HIC - 220/240V	1
101	1102 5007	CT Header - 14P	
102	1102 5943	Connector - 2P	
103	1102 5944	Connector - 3P	
104	1102 6415	Modular Cord - 6-6p	

Index No.	Part No.	Description	Q'ty Per Assembly
105	1104 0683	Socket - IMSA-9206H-GF	
106	1208 1438	Relay - EC2 5ND	
107	1400 0358	Transistor - 2SA950-0	
108	1400 0576	Transistor - 2SC3621	
109	1400 0826	Transistor - 2SA1776	
110	1401 0821	Diode - 1SS133	
111	1402 1335	Bridge-S1WB(A)60	
112	1402 1556	Diode - MTZJ3.6B	
113	1402 1607	Diode - S1NB60	
114	1403 0791	Photocoupler - PS2561-1-V	
115	1403 0812	Photocoupler - PS2532-1-V	
116	1403 0950	Photocoupler- PS2532-2-V	
117	1404 0283	Varistor - TNR9G431K	
118	1404 0983	Arrestor- RA-102MS-V7-F(5)	
119	1404 0989	Varistor - TNR7V121K	
120	1600 1153	Resistor - 2W 120 Ω	
121	1600 1294	Resistor - 47 Ω	
122	1606 1761	Capacitor - 1.0 μ F250V	
123	1606 1860	Capacitor - 0.47 μ F250V	
124	1607 0069	Fuse - BL02RN2-R62-PB	
125	1607 0760	Coil TLF9UB302W	
126	1607 1246	Transformer P3356	
127	1611 8120	Resistor - 12 Ω \pm 5% 1/4W	
128	1611 9393	Resistor - 39K Ω \pm 5%1/4W	
129	1634 0000	Resistor - 0 Ω 1/16W	
130	1640 5470	Capacitor - 47 μ F \pm 20% 50V	
131	1640 5479	Capacitor - 4.7 μ F \pm 20% 50V	
132	1650 4103	Resistor - 10K Ω \pm 5% 1/10W	
133	1650 4302	Resistor - 3K Ω \pm 5%1/10W	
134	1653 1602	Resistor - 16K Ω \pm 1%1/8W	
135	1654 2401	Resistor - 2.4K Ω \pm 1% 1/10W	
136	1654 7501	Resistor - 7.5K Ω \pm 1%1/10W-1608	
137	1660 4102	Capacitor - 1000pF \pm 10% 50V	
138	1660 8104	Capacitor - 0.1 μ F+80-20% 25V	

Parts Index

Parts Index

Part No.	Description	Page and Index No.
B576 5170	FCU Board	3 - 10
B576 5170	FCU Board	7 - *
B576 5180	MBU Board	3 - 9
B576 5270	Harness - FCU-NCUSP NA	3 - 8
B576 5272	Harness - FCU-NCUSP EU	3 - 8
B576 8607	Operating Instructions Basic (NA)	3 - 19
B576 8657	Operating Instructions Advance (NA)	3 - 21

Part No.	Description	Page and Index No.
B005 7101	IC - FBI	7 - 1
B024 5865	Bracket - NCU-Upper	3 - 5
B024 5866	Bracket - NCU-Lower	3 - 6
B024 5868	Bracket - Speaker	3 - 3
B027 1447	Keytop - Fax	3 - 14
B028 5510	IC -FACE2	7 - 2
B031 5861	Shadeing Plate:Fax Control Unit	3 - 1
B092 5192	FCU I/F Board	3 - 7
B404 3861	SG3 Decal	3 - 16
B418 1370	NCU Cover	3 - 15
B418 7150	Key Top - Copy (NA)	3 - 12
B418 7151	Keytop - Fax-NA	3 - 11
B418 7152	Cover - Keytop-Fax-NA	3 - 13
B418 7170	Key Top - Copy (EU)	3 - 12
B418 7171	Keytop - Fax - EU	3 - 11
B418 7172	Cover - Keytop - Fax - EU	3 - 13
G025 1211	Speaker - GS	3 - 4
H511 5007	Stamp	3 - 18
H523 5350	Telephone Cable	3 - 17
H545 7108	HIC - 220/240V	13 - 1

Part No.	Description	Page and Index No.
0451 3006B	Tapping Screw - M3x6	3 -101
0453 3006B	Tapping Screw - M3x6	3 -103
1102 4205	CT Header - 6P	7 -101
1102 4212	CT Header - 15P	7 -102
1102 4631	CT Connector - 2p	7 -103
1102 5007	CT Header - 14P	11 -101
1102 5007	CT Header - 14P	13 -101
1102 5943	Connector - 2P	13 -102
1102 5944	Connector - 3P	13 -103
1102 6415	Modular Cord - 6-6p	13 -104
1102 6415	Modular Cord - 6-6p	11 -102
1102 7098	Connector - TX25-80P-6ST-N1	7 -104
1102 7389	Connector - FH12-50S-0.5SV	7 -105
1102 7455	Connector - FX6-60S-0.8SV2	7 -106
1102 8063	Connector - 54373-0600	7 -107
1102 8089	Connector - 53493-0801	7 -108
1102 8189	DIMM Connector - 54534-1440	7 -109
1104 0683	Socket - IMSA-9206H-GF	13 -105
1105 0441	Spacer - 8mm	3 -104
1105 0516	Clamp	3 -102
1204 2373	Key Board Switch - SKQDPA	7 -110
1206 0084	Lithium Cell-VI2330/1hf	7 -111
1208 1438	Relay - EC2 5ND	11 -103
1208 1438	Relay - EC2 5ND	13 -106
1400 0358	Transistor - 2SA950-0	13 -107
1400 0398	Transistor - 2SC2412K	7 -112
1400 0576	Transistor - 2SC3621	13 -108
1400 0769	Transistor - 2SA1576A	7 -113
1400 0822	Transistor - 2SA1900	7 -114
1400 0826	Transistor - 2SA1776	11 -104
1400 0826	Transistor - 2SA1776	13 -109
1400 0856	Transistor - 2SC3928A	7 -115
1400 0885	Transistor - 2SC4505Q	11 -105
1400 0918	Transistor - DTC123JUA	7 -116
1401 0821	Diode - 1SS133	11 -106

Part No.	Description	Page and Index No.
1401 0821	Diode - 1SS133	13 -110
1401 1116	Transistor - 2SC5053	7 -117
1402 1335	Bridge-S1WB(A)60	13 -111
1402 1336	Diode - 1SS355	7 -118
1402 1343	Diode - RB106L-40	7 -119
1402 1437	Diode - RB500V-40	7 -120
1402 1487	Diode - RB480K	7 -121
1402 1499	Diode UDZS5.1B	7 -122
1402 1515	Diode UDZS6.2B	7 -123
1402 1556	Diode - MTZJ3.6B	13 -112
1402 1584	Diode - DAN217U	7 -124
1402 1607	Diode - S1NB60	11 -107
1402 1607	Diode - S1NB60	13 -113
1402 1647	Diode - UDZS3.6B	7 -125
1403 0598	Photo Coupler - Ps2501-2	11 -108
1403 0620	Photo Coupler	11 -109
1403 0791	Photocoupler - PS2561-1-V	13 -114
1403 0812	Photocoupler - PS2532-1-V	13 -115
1403 0812	Photocoupler - PS2532-1-V	11 -110
1403 0950	Photocoupler- PS2532-2-V	13 -116
1403 0953	LED - SML-310MT	7 -126
1403 0996	LED - SML-310VT	7 -127
1404 0129	Varistor - VR - 63B	11 -111
1404 0276	Varistor- TNR9G331K	11 -112
1404 0283	Varistor - TNR9G431K	11 -113
1404 0283	Varistor - TNR9G431K	13 -117
1404 0983	Arrestor- RA-102MS-V7-F(5)	13 -118
1404 0989	Varistor - TNR7V121K	13 -119
1404 0989	Varistor - TNR7V121K	11 -114
1407 4845	IC TC7S66F	7 -128
1407 5010	IC - TC7SET08FU	7 -129
1407 5197	IC - TC7SZ126FU	7 -130
1407 5349	IC - SN74LV4066APW	7 -131
1407 5368	IC - 74LVC245A TSSOP	7 -132
1407 5659	IC - RL5T882SB	7 -133

Part No.	Description	Page and Index No.
1407 5685	IC:SH74AHC1G32HDCK	7 -134
1407 5703	IC - CD4053BPW	7 -135
1407 5881	Modem IC - MN195006-E	7 -136
1407 5968	IC - SN74HCT244APW	7 -137
1407 5969	IC - SN74HCT245APW	7 -138
1408 0810	IC - BA10358F	7 -139
1408 1246	DC/DC Converter:M5291P	7 -140
1408 1296	Voltage Regulator - RN5RZ33B	7 -141
1408 1388	Detector RN5VD28C	7 -142
1408 1416	IC -RH5RI331B	7 -143
1408 1449	IC - M62220FP	7 -144
1408 1550	IC - LM2902PW	7 -145
1408 1653	Opeamp - LMV324IPW	7 -146
1503 0758	Oscillator - MC-306 32.768MHZ	7 -147
1503 1066	Crystal Oscilator - 24.576MHZ	7 -148
1600 1153	Resistor - 2W 120 Ω	13 -120
1600 1294	Resistor - 47 Ω	13 -121
1601 5395	Resistor - 18 Ω \pm 5% 1/2W	11 -115
1601 7760	Resistor Array	7 -149
1601 7866	Resistor Array - 150 Ω \pm 5%	7 -150
1601 7867	Resistor - 33 Ω \pm 5% 1/16W	7 -151
1601 7871	Resistor - 68 Ω \pm 5% 1/16W	7 -152
1601 7877	Resistor Array 4.7k Ω \pm 5% 1/32W	7 -153
1601 7887	Resistor Array - 10K Ω \pm 5% 1/32W	7 -154
1601 7896	Resistor Array - 56 Ω \pm 5% 1/32W	7 -155
1604 4333	Capacitor - 100 μ F \pm 20% 10V	7 -156
1604 4335	Capacitor - 220 μ F \pm 20% 10V	7 -157
1604 4550	Capacitor - 220 μ F \pm 20% 25V	7 -158
1604 4695	Capacitor:100 μ F: \pm 20%:35V	7 -159
1604 5002	Capacitor - 220 μ F \pm 20% 6.3V	7 -160
1605 1122	Capacitor 1 μ F +80-20% 10V	7 -161
1605 1136	Ceramic Capacitor - 33000pF \pm 10% 2	7 -162
1605 1167	Capacitor - 0.22 μ F \pm 10% 10V	7 -163
1605 1190	Ceramic Capacitor - 0.022 μ F \pm 10% 50V	7 -164
1605 1226	Capacitor - 2PF \pm 0.25pF 50V	7 -165

Part No.	Description	Page and Index No.
1605 1228	Capacitor:0.1 μ F: \pm 10%:25V	7 -166
1605 1295	Capacitor:10 μ F:+80-20%:10V	7 -167
1606 1761	Capacitor - 1.0 μ F 250V	13 -122
1606 1860	Capacitor - 0.47 μ F 250V	13 -123
1606 2160	Capacitor - 0.47 μ F \pm 10% 250V	11 -116
1607 0069	Fuse - BL02RN2-R62-PB	13 -124
1607 0069	Fuse - BL02RN2-R62-PB	11 -117
1607 0396	Choke - Sbt-0180W	11 -118
1607 0760	Coil TLF9UB302W	13 -125
1607 0861	Filter - BK2125HS101	7 -168
1607 1196	Inductor -220uh \pm 20% 0.33A	7 -169
1607 1246	Transformer P3356	13 -126
1607 1396	Transformer - Flt319	11 -119
1607 1405	Inductor:SLF10145-101M1R0	7 -170
1607 1421	Inductor:SLF10145-221MR65	7 -171
1610 1377	Resistor - 0.1 Ω \pm 2% 1/2W	7 -172
1611 8120	Resistor - 12 Ω \pm 5% 1/4W	13 -127
1611 8473	Registor - 47k Ω \pm 5%1/4W	11 -120
1611 9393	Resistor - 39K Ω \pm 5%1/4W	13 -128
1633 0000	Resistor - 0 Ω 1/10W	7 -173
1634 0000	Resistor - 0 Ω 1/16W	13 -129
1634 0000	Resistor - 0 Ω 1/16W	7 -174
1640 5470	Capacitor - 47 μ F \pm 20% 50V	13 -130
1640 5479	Capacitor - 4.7 μ F \pm 20% 50V	13 -131
1642 5220	Capacitor - 22 μ F \pm 20% 50V	11 -121
1642 5229	Capacitor 2.2 μ F \pm 20% 50V	11 -122
1644 0100	Capacitor - 10 μ F \pm 20% 10V	7 -175
1644 0470	Capacitor - 47 μ F \pm 20% 10V	7 -176
1650 2681	Chip Resistor:680 Ω : \pm 5%:1/4W	7 -177
1650 3209	Chip Resistor:2 Ω : \pm 5%:1/8W:2125	7 -178
1650 4100	Resistor - 10 Ω \pm 5% 1/10W	7 -179
1650 4101	Resistor - 100 Ω \pm 5%1/10W	7 -180
1650 4102	Resistor - 1K Ω \pm 5% 1/10W	7 -181
1650 4103	Resistor - 10K Ω \pm 5% 1/10W	13 -132
1650 4103	Resistor - 10K Ω \pm 5% 1/10W	7 -182

Part No.	Description	Page and Index No.
1650 4104	Resistor - 100K Ω \pm 5%1/10W	11 -123
1650 4104	Resistor - 100K Ω \pm 5%1/10W	7 -183
1650 4105	Resistor - 1M Ω \pm 5% 1/10W	7 -184
1650 4121	Resistor - 120 Ω \pm 5%1/10W	7 -185
1650 4122	Resistor - 1.2K Ω \pm 5% 1/10W	7 -186
1650 4123	Resistor - 12K Ω \pm 5%1/10W	7 -187
1650 4151	Resistor - 150 Ω \pm 5%1/10W	11 -124
1650 4180	Chip Resistor - 18 Ω \pm 5%1/10W	11 -125
1650 4182	Resistor - 1.8K Ω \pm 5%1/10W	7 -188
1650 4184	Resistor:180k Ω : \pm 5%:1/10W	7 -189
1650 4201	Resistor - 200 Ω \pm 5%1/10W	7 -190
1650 4202	Resistor - 2K Ω \pm 5%1/10W	7 -191
1650 4204	Resistor - 200K Ω \pm 5%1/10W	7 -192
1650 4223	Resistor - 22K Ω \pm 5%1/10W	7 -193
1650 4302	Resistor - 3K Ω \pm 5%1/10W	13 -133
1650 4304	Resistor:300k Ω : \pm 5%:1/10W	7 -194
1650 4309	Resistor:3 Ω : \pm 5%:1/10W	7 -195
1650 4330	Chip Resistor - 33 Ω \pm 5% 1/10W	7 -196
1650 4331	Resistor - 330 Ω \pm 5%1/10W	7 -197
1650 4333	Resistor - 33K Ω \pm 5%1/10W	7 -198
1650 4391	Resistor - 390 Ω \pm 5% 1/10W	7 -199
1650 4392	Chip Resistor - 3.9k Ω \pm 5%1/10W	11 -126
1650 4472	Resistor - 4.7K Ω \pm 5% 1/10W	7 -200
1650 4473	Resistor - 47K Ω \pm 5%1/10W	7 -201
1650 4510	Resistor - 51 Ω \pm 5%1/10W	7 -202
1650 4560	Chip Resistor - 56 Ω \pm 5% 1/10W	7 -203
1650 4562	Resistor - 5.6K Ω \pm 5% 1/10W	7 -204
1650 4680	Resistor - 68 Ω \pm 5%1/10W	7 -205
1650 4681	Resistor - 680 Ω \pm 5% 1/10W	7 -206
1650 4823	Resistor:82k Ω : \pm 5%:1/10W	7 -207
1653 1602	Resistor - 16K Ω \pm 1%1/8W	13 -134
1654 1001	Resistor - 1K Ω \pm 1%1/10W	7 -208
1654 1002	Resistor - 10K Ω \pm 5%1/10W	7 -209
1654 1003	Resistor - 100K Ω \pm 1%1/10W	7 -210
1654 1100	Resistor - 110 Ω \pm 1% 1/10W	7 -211

Part No.	Description	Page and Index No.
1654 1102	Resistor - 11K Ω \pm 1%1/10W	7 -212
1654 1183	Resistor - 118K Ω \pm 1% 1/10W	7 -213
1654 1202	Resistor:12k Ω : \pm 1%:1/10W	7 -214
1654 1503	Resistor - 150K Ω \pm 1%1/10W	7 -215
1654 1802	Resistor - 18K Ω \pm 1%1/10W	7 -216
1654 2001	Chip Resistor - 2k Ω \pm 1% 1/10W	7 -217
1654 2002	Resistor - 20K Ω \pm 1%1/10W	7 -218
1654 2002	Resistor - 20K Ω \pm 1%1/10W	11 -127
1654 2401	Resistor - 2.4K Ω \pm 1% 1/10W	13 -135
1654 2402	Chip Resistor:24k Ω : \pm 1%:1/10W	7 -219
1654 2702	Resistor - 27K Ω \pm 1%1/10W	7 -220
1654 3303	Resistor - 330K Ω \pm 1%1/10W	7 -221
1654 3602	Resistor - 36K Ω \pm 1% 1/10W 1608	7 -222
1654 3742	Resistor:37.4k Ω : \pm 1%:1/10W	7 -223
1654 4533	Chip Resistor:453k Ω : \pm 1%:1/10W	7 -224
1654 4702	Chip Resistor - 47k Ω \pm 1%1/10W	11 -128
1654 4872	Chip Resistor:48.7k Ω : \pm 1%:1/10W	7 -225
1654 6202	Resistor - 62K Ω \pm 1%1/10W	7 -226
1654 6809	Resistor - 68 Ω \pm 1%1/10W	7 -227
1654 7323	Resistor:732k Ω : \pm 1%:1/10W	7 -228
1654 7501	Resistor - 7.5K Ω \pm 1%1/10W-1608	13 -136
1654 7502	Resistor - 75K Ω \pm 1%1/10W	7 -229
1654 8200	Resistor - 820 Ω \pm 1%1/10W	7 -230
1654 9101	Resistor:9.1k Ω : \pm 1%:1/10W	7 -231
1660 0100	Capacitor - 10PF \pm 0.5pF 50V	7 -232
1660 2101	Capacitor - 100pF - \pm 10% - 50V	7 -233
1660 2120	Capacitor - 12 pF \pm 5% 50V	7 -234
1660 2150	Capacitor - 15pF \pm 5% 50V	7 -235
1660 2181	Capacitor - 180pF \pm 5% 50V	7 -236
1660 2271	Capacitor - 270pF - +80-20% - 50V	7 -237
1660 2471	Capacitor - 470pF - \pm 5% - 50V	7 -238
1660 2820	Capacitor - 82pF \pm 5% 50V	7 -239
1660 4102	Capacitor - 1000pF \pm 10% 50V	7 -240
1660 4102	Capacitor - 1000pF \pm 10% 50V	13 -137
1660 4152	Capacitor - 1500pF \pm 10% 50V	7 -241

Part No.	Description	Page and Index No.
1660 4222	Capacitor - 2200pF - $\pm 10\%$ - 50V	7 -242
1660 4332	Capacitor - 3300pF - $\pm 10\%$ - 50V	7 -243
1660 4682	Capacitor - 6800pF 50V 1608	7 -244
1660 6103	Capacitor - 10000pF - +80%-20%50V	7 -245
1660 8104	Capacitor - 0.1 μ F +80-20% 25V	13 -138
1660 8104	Capacitor - 0.1 μ F +80-20% 25V	7 -246
1907 0012	SDRAM - 128M 2MX16X4 133Mhz	7 -247

Part No.	Description	Page and Index No.
5488 6222	NCU-FD-U2 Board - 120V	3 - 2
5488 6222	NCU-FD-U2 Board - 120V	11 - *
5488 6292	NCU-FD-EA2T Board - 230V TWN	3 - 2
5488 6292	NCU-FD-EA2T Board - 230V TWN	13 - *